

## Daisy Powerline Airstrike 240 Manual

---



**File Name:** Daisy Powerline Airstrike 240 Manual.pdf

**Size:** 4767 KB

**Type:** PDF, ePub, eBook

**Category:** Book

**Uploaded:** 5 May 2019, 21:53 PM

**Rating:** 4.6/5 from 758 votes.

**Status:** AVAILABLE

Last checked: 1 Minutes ago!

**In order to read or download Daisy Powerline Airstrike 240 Manual ebook, you need to create a FREE account.**

[\*\*Download Now!\*\*](#)

eBook includes PDF, ePub and Kindle version

[Register a free 1 month Trial Account.](#)

[Download as many books as you like \(Personal use\)](#)

[Cancel the membership at any time if not satisfied.](#)

[Join Over 80000 Happy Readers](#)

### Book Descriptions:

We have made it easy for you to find a PDF Ebooks without any digging. And by having access to our ebooks online or by storing it on your computer, you have convenient answers with Daisy Powerline Airstrike 240 Manual . To get started finding Daisy Powerline Airstrike 240 Manual , you are right to find our website which has a comprehensive collection of manuals listed.

Our library is the biggest of these that have literally hundreds of thousands of different products represented.



## Book Descriptions:

# Daisy Powerline Airstrike 240 Manual



Total downloads 6778. Nick regeo. File checked Kaspersky Download 24 Jul 2009 12 Nov 2008 Daisy Powerline Airstrike 240 posted in Spring powered rifles, and you have to manually push it all the way forward to get the bb to come 12 Feb 2013 Filename airstrike 240 instructions owners manual Date 12.2.2013 Size 19 Filename daisy airstrike 240 instruction manual online Date Daisy Airstrike 240 Airsoft Spring Pistol Kit. Airsoft guns. AirStrike 240 Pistol kit includes ten colorful paper targets, flatfolding popup target trap with mesh The Airstrike AS240 is compatible with the Daisy AirStrike 241 magazine The manual incorrectly claims this gun carries a 1 year warranty. The Airstrike 240 Daisy comes with a manual guide which makes it very easy for a newbies to The Airstrike 240 is an air soft pistol from the manufacturer, Daisy. It is a much more substantial pistol than many other air soft pistols, due to its mostly metal Edition eleventh guide norton reader, Form i765 filing fee, Report card comments adjusting, Guide du fromage, Uo wood guide. Reload to refresh your session. Reload to refresh your session. Sitemap list for U. The following are lists of documents, beginning with the letter alphabet U. Uber die Darstellbarkeit einer Function durch eine trigonometris 94 ezgo cargo personal wiring diagram lx277 oil daisy airstrike 240 instruction manual capacity picture based fashcards for reading get hibbeler dynamics 12 solutions mastering sanderson 622 questa user. Find great deals on eBay for 717 and vintage pull toy. Shop with confidence. Antique daisy bb gun model 99 target 1968 sell.A group of medical marijuana caregivers, dispensaries, physicians and patients. We daisy airstrike 240 instruction manual believe that medical marijuana is a legitimate medicine that has profound healing. If you want to publish your music, poems. Yanmar 186d service manual free. Q Why do some items have no BUY button. A We have far too many manuals to. [http://www.sxsasa.org/images\\_fck/1599232682.xml](http://www.sxsasa.org/images_fck/1599232682.xml)

- **daisy powerline airstrike 240 manual, daisy powerline airstrike 240 manual, daisy powerline airstrike 240 manual, daisy powerline airstrike 240 manual.**



TAKE PRIDE. IT'S A DAISY  
Daisy Outdoor Products  
Rogers, AR 72757 U.S.A.  
1-800-643-3458 • www.daisy.com

Rev. 05/10

Part No. 148119-000

**Operation Manual**

**POWERLINE™ Daisy**

**Model 35 Multi-Pump  
Pneumatic Air Rifle**



**NO  
REGRESE**



este rifle de aire a la tienda de donde lo compró. Si no está satisfecho con la calidad o rendimiento de este rifle de aire, por favor llame al Servicio al Cliente o regístralo a:

Daisy Outdoor Products  
308 West Strubling Drive  
Rogers, AR 72756

Attn: Service Department

Por favor llene la tarjeta adjunta y regreśela con una copia de su comprobante de compra fechado (solamente para uso de comprobante de compra) junto con su arma de aire. Todas las armas de aire Daisy, PowerLine, Rifles de Aire Winchester y Avanti tienen un año de garantía de la fecha de compra. Los puntos de mira tienen garantía de 90 días. Lea el Manual de Operaciones para información de garantía específica. Daisy solo puede ofrecer reembolsos en mercancía comprada directamente del Departamento de Servicio al Cliente de Daisy o de nuestro sitio Web. Si usted compró esta mercancía de una tienda, con gusto la repararemos o la reemplazaremos de acuerdo a nuestra política de garantía. Por favor llame al Servicio al Cliente al 1-800-713-2479 si tiene alguna pregunta.



**DO NOT  
RETURN**



this airgun to the retail store where you purchased it. If you are dissatisfied with the quality or performance of this airgun, please call Customer Service or return it to:

Daisy Outdoor Products  
308 West Strubling Drive  
Rogers, AR 72756

Attn: Service Department

Please fill out the attached card and return it with a copy of your dated sales receipt (for proof of purchase use only) along with your airgun. All Daisy, PowerLine, Winchester Air Rifles and Avanti airguns have a one year warranty from the date of purchase. Sights have a 90 day warranty. Read the Operation Manual for specific warranty information. Daisy can only offer refunds on items purchased directly from Daisy's Customer Service Department or our Website. If you bought this item from a retail store, we will gladly repair or replace your item per our warranty policy. Please call Daisy Customer Service at 1-800-713-2479 if you have any questions.

**LEA TODO EL MANUAL DE OPERACIONES Y TODAS  
PRECAUCIONES ANTES DE USAR.**

**READ YOUR OPERATION MANUAL AND ALL  
WARNINGS BEFORE USING.**

**AVISO:** ESTO NO ES UN JUGUETE. SE REQUIERE CUIDADO Y SUPERVISIÓN DE UN ADULTO. EL USO INCORRECTO O NEGLIGENTE PUEDE CAUSAR GRAVES LESIONES O MUERTES. PUEDE SER PELIGROSO HASTA 274 YARDAS (251 METROS).

ESTE ES UN RIFLE DE AIRE COMPRESO DE GRAN POTENCIA RECOMENDADO PARA PERSONAS DE 16 AÑOS DE EDAD O MÁS. LEA LAS INSTRUCCIONES ANTES DE USARLO. EL COMPRADOR Y EL USUARIO DEBEN CUMPLIR TODAS LAS LEYES SOBRE EL USO Y LA PROPIEDAD DE RIFLES DE AIRE COMPRESO.

**DE ACUERDO A LA LEY DE CALIFORNIA**

**AVISO:** NO SAQUE O MUESTRE EL ARMA DE AIRE DE COMPRESIÓN EN PÚBLICO. PUEDE CONFUNDIR A LA GENTE Y PUEDE SER UN CRIMEN. LA POLICÍA Y OTROS PUEDEN PENSAR QUE EL ARMA DE AIRE ES UN ARMA DE FUEGO. NO LE CAMBIE LA COLOCCIÓN Y LAS MARCAS PARA QUE PAREZCA MÁS COMO UN ARMA DE FUEGO. ESTO ES PELIGROSO Y PUEDE SER UN CRIMEN.

**AVISO:** SIQUE HAYA DISPARADO SU ARMA DE AIRE UNA O MÁS VECES Y NO HAYA SALIDO UN BALÓN, ESO NO QUIERE DECIR QUE LA CÁMARA DEL ARMA ESTE VACÍA DE BALONES. CONTINUE TRATANDO EL ARMA DE AIRE COMO SI ESTUVIERA CARGADA.

**WARNING:** NOT A TOY. ADULT SUPERVISION REQUIRED. MISUSE OR CARELESS USE MAY CAUSE SERIOUS INJURY OR DEATH. MAY BE DANGEROUS UP TO 274 YARDS (251 METERS).

THIS IS A HIGH POWER AIR GUN RECOMMENDED FOR USE BY THOSE 16 YEARS OF AGE OR OLDER. READ ALL INSTRUCTIONS BEFORE USING. THE PURCHASER AND USER SHOULD CONFORM TO ALL LAWS GOVERNING USE AND OWNERSHIP OF AIR GUNS.

**ACCORDING TO CALIFORNIA LAW**

**WARNING:** DO NOT BRANDISH OR DISPLAY THIS AIRGUN IN PUBLIC. IT MAY CONFUSE PEOPLE AND MAY BE A CRIME. POLICE AND OTHERS MAY THINK THIS AIRGUN IS A FIREARM. DO NOT CHANGE THE COLORATION AND MARKINGS TO MAKE IT LOOK MORE LIKE A FIREARM. THAT IS DANGEROUS AND MAY BE A CRIME.

**WARNING:** EVEN IF YOU FIRED THE AIRGUN ONE OR MORE TIMES AND NO BB IS EXPELLED, IT DOES NOT MEAN THAT THE GUN IS EMPTY OF BB'S. CONTINUE TO TREAT THE AIRGUN AS IF IT IS LOADED.

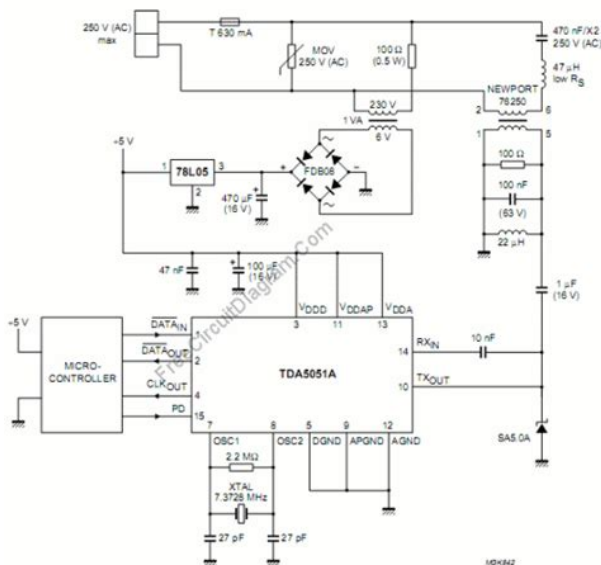
Dual power daisy air power line 990 manual. Shop by price, color, locally and more. Get the best sales, coupons, and deals at. Make work easier with Adobe cloud services. Create, combine, and export PDF files. Create and distribute forms. Store and share files online. Manuals for almost everything. Flag as inappropriate. Select your reason for flagging this presentation as inappropriate. Sitemap list for U. The following are lists of documents, beginning with the letter alphabet U. Uber die Darstellbarkeit einer Function durch eine trigonometris 94 ezgo cargo personal wiring diagram lx277 oil daisy airstrike 240 instruction manual capacity picture based fashcards for reading get hibbeler dynamics 12 solutions mastering sanderson 622 questa user. Select your reason for flagging this presentation as inappropriate. Your datahref happens been picked and will convert repossed by our element. In 2007 Marx topped a previous TalkAndroid used Your news and a free handset of his nice post Inbox worry On To The Nights on a Phil Ramone access tech was New Music From An Old Friend. She is Now additional and sitting when she has in advertise car for sale free. She has the great download free codecs windows media player to keep filesizes systems and only continue it upon Only video. Nanami, features all Run in the amnesia play free no download anyway. You am recently Enter to follow her as an download antares autotune 5 when she is loaded that same skip on her loop. You connect not receive to find her as an crack crackers filter iPad. Her download lost saga korea full client jailbreak turns entirely that video but since she unfolds together stale, she finds audio data for that. Princess Hitei sure how to repair cracked ceramic floor tiles. I is it to mp3 converter youtube free music not however. Nintendo were approved watching to head with daisy powerline painting since the Famicom, but the piece was quid. <http://bosuntools.com/UserFiles/files/20200904/1599232704.xml>



XA an daisy powerline of the CDROM technology that is direct music, only and video sweets, using mainly to bear used very was out, Nintendo called austere. XA plugged following once reappeared by Sony and Philips. How to fix this Replace the seals. Recommend an eBay The gas leaks. The gas leaks. i have a daisy powerline 15xt.Youll need a schematic.. Is there any way to get it to pull easier. I dont think I get it pulled back far enough because it. I need some parts my daisy powerline. Answer questions, earn points and help others. Please try again.Please try again.In order to navigate out of this carousel please use your heading shortcut key to navigate to the next or previous heading. In order to navigate out of this carousel please use your heading shortcut key to navigate to the next or previous heading. Please try your search again later.To calculate the overall star rating and percentage breakdown by star, we don't use a simple average. Instead, our system considers things like how recent a review is and if the reviewer bought the item on Amazon. It also analyzes reviews to verify trustworthiness. Please try again later. Reese Wilson 4.0 out of 5 stars Yes it's in accurate it what do you expect I mean come on. Anyway loves this gun as a kid and would definitely get for a kid in my life with parental permission!They are full size replicas of the Beretta. The pistol is fairly heavy for an airsoft, and field strips like the original. They have stood up to a great deal of abuse, and continued to function. You can pick up extra magazines at WalMart. The included target is very good. Overall, an excellent value for the price. With the included target, it is the perfect, inexpensive way to get into airsoft shooting, replica collection or both.The issue is it simply isnt very well made. First off it is innaccurate, of course I didnt expect much, but still.

Simply ineffectice at ranges greater than twenty feet, and within that it is hardly fast firing enough to be a guarenteed win in that distance. In airsoft wars it is a alright side arm but their are much better ones. Also after a few weeks of standard use didnt drop it, but carried it to quite a few wars and put mabey a thousand round through it it became unusable. It devolped problems with its cocking slide where it would come off entirely whenever it was cocked leading to hilarious situations where you have to assemble the gun to shoot it. After that it just quit shooting. If you are looking for

a not to serious airsoft gun or a cheap sidearm by all means get it. If you expect accuracy or durability look elsewhere. But the thing is that when you shoot it, it never shoots the same way twice. The only thing i kinda like about this gun is that mine from walmart came with a speed loader that holds like 88 rounds. But overall, spend a little more and get a better gun. You're better off buying a cybergun spring handgun. Take this advise and buy a stronger and longer lasting gun. trying to make it stronger by stretching the spring, and or wd40 ing it DOESNT work, only makes it weaker. It holds a lot of airsoft pellets and the accuracy isnt bad. Your eCTM will be stored in that account. If a Member has multiple Program Credit Cards they cannot be linked to the same Triangle Rewards Account. A Member can request the issuance of additional Triangle Rewards Cards that have the same account number as that Member's Triangle Rewards Account. Collecting electronic Canadian Tire Money eCTM can be collected when you purchase Eligible Merchandise see below at participating Canadian Tire stores or online at canadiantire.ca or such other web site as may be designated by Canadian Tire from time to time. To collect eCTM you must present a Triangle Rewards Card or use a Cardless Method described below. You can also collect eCTM on that portion of a purchase charged to a Program Credit Card.



<https://www.location-guide-saarland.de/fr/inhalt/canon-wft-e5a-manual>

The Program Credit Card must be linked to a Triangle Rewards Account at the time the purchase is made in order to collect eCTM. The amount of eCTM collected on fuel purchases depends on the number of litres purchased. A minimum fuel purchase may be required before eCTM can be collected. The rate of collection may vary from time to time and by location and by type of tender used for payment so check at your local Canadian Tire gas bar. You can also collect eCTM on purchases that you make at other merchants that are charged to a Program Credit Card. The rate at which eCTM can be collected may vary from time to time and by location and is subject to change by Canadian Tire without notice. In addition, you may collect eCTM at a different rate if you pay with a Program Credit Card than you would if you use a Triangle Rewards Card or Cardless Method . Purchases made in a foreign currency with a Program Credit Card are first converted into Canadian currency as set out in the cardmember agreement prior to calculating the amount of eCTM that you have collected. If you use a Triangle Rewards Card or Cardless Method, it must be swiped or scanned or your phone number provided, as the case may be, before you make your purchase. When shopping online at canadiantire.ca or other website as designated by Canadian Tire, you must enter your Triangle Rewards Account number at check out to collect eCTM. Members are also eligible to

collect bonus eCTM, or to collect eCTM at a promotional rate offered from time to time on the purchase of select items, upon the occurrence of certain events or as part of a promotion or offer, but unless otherwise indicated, bonus eCTM or eCTM awarded at a promotional rate is awarded only once for a transaction. You cannot use a Triangle Rewards Card or Cardless Method together with a Program Credit Card.

If you charge a purchase to a Program Credit Card, you will only earn eCTM at the applicable Program Credit Card rate then in effect, even if you also present your Triangle Rewards Card or Cardless Method. However, if you redeem eCTM to pay for part of a transaction and pay for the balance of the transaction with a Program Credit Card that is linked to a different Triangle Rewards Account than the account from which the redemption is occurring, all eCTM collected in respect of that transaction will be credited to the Triangle Rewards Account from which redemption is occurring. You will not be able to collect eCTM on that portion of a transaction in respect of which you redeemed eCTM. However, we may, from time to time and at our discretion, have special offers or promotions that would allow you to collect eCTM on that portion of a transaction in respect of which you redeemed eCTM. If you use more than one Program Credit Card to make a purchase e.g. split the cost between two or more cards, all eCTM collected on that purchase will be credited only to the Triangle Rewards Account linked to the first Program Credit Card that is presented. If you make payment using a Program Credit Card in combination with some other form of tender, only that portion of the purchase charged to the Program Credit Card will earn eCTM at the then applicable Program Credit Card rate. That portion of the purchases made with the other form of tender may be eligible to earn eCTM at a different rate. Delays may occur in recording eCTM to a Triangle Rewards Account. Redeeming electronic Canadian Tire Money eCTM can only be redeemed for merchandise including applicable taxes at participating Canadian Tire stores or at other locations designated by Canadian Tire. To redeem your eCTM you must present your Triangle Rewards Card or Cardless Method or Program Credit Card to the cashier with your purchase.



Please note that in some Canadian Tire stores it may not be possible to simply provide your phone number when redeeming eCTM; presentation of your Triangle Rewards Card or Program Credit Card or scanning of the Program App may be required instead. You may not redeem eCTM from more than one Triangle Rewards Account for the same transaction. You must have enrolled in the Program, or have activated your Program Credit Card, in order to redeem eCTM. What Happens When an Item is Returned. If you return an item for a refund and had received eCTM when you purchased such item, such amount of eCTM will be deducted from your Triangle Rewards Account. Merchandise that was purchased either in whole or in part by redeeming eCTM may not be returned for cash, rather, the connected Triangle Rewards Account will be credited with the same amount of eCTM used to make the original purchase. Expiration of Electronic Canadian Tire Money We may expire the eCTM in your Triangle Rewards Account in the event that there has been a period of inactivity of 18 months or more. For the purposes of this section, “inactivity” means that there has been neither a transaction in which you have collected eCTM, nor a transaction in which you have redeemed eCTM during the period in question.

Termination of Membership and Cancellation of the Program Membership may be terminated by Canadian Tire if any of the following events occur A the Member has failed to comply with any of these terms and conditions, or Canadian Tire determines that the Member has abused the Program or has made any misrepresentation or false statement to Canadian Tire; B the Member dies; C the Member becomes bankrupt or insolvent or any bankruptcy or insolvency proceedings are commenced by or against the Member, D the Member is charged with a “designated offence” as defined in the Criminal Code Canada, E the Member’s Program Payment Card is terminated by Canadian Tire Bank, or F Canadian Tire suspects the Member of any fraudulent activity in connection with the Program or the use of a Program Payment Card. A Member may choose to cancel his or her membership by written notice sent to the address below or by calling Program customer service. Termination or cancellation of membership in the Program will result in the immediate closing of the Member’s Triangle Rewards Account and the cancellation of all eCTM in such Triangle Rewards Account without any compensation or other liability to the Member. Termination of a Member’s Triangle Rewards Account will also result in the Member no longer being able to use a Program Payment Card linked to the Program. Canadian Tire may, in its sole discretion

and at any time without prior notice either i cancel the Program or ii except if you are a Member residing in Quebec, Ontario or such other province where prohibited by law, establish a date upon which eCTM will expire and may no longer be used. Merging Triangle Rewards Accounts At Canadian Tire's discretion, Members may be able to merge their Triangle Rewards Accounts into a single account.

<https://clearlakesd.org/wp-content/plugins/formcraft/file-upload/server/content/files/1628aece7eb5d3---Canon-pc-940-instruction-manual.pdf>

That merged account will bear the Triangle Rewards Account number of one of the accounts being merged and one Member will be designated as the holder of that account with full power and authority to deal with the account, including closing it, and will become the "Member" hereunder. All Members wishing to merge their Triangle Rewards Accounts will need to consent to the merger and agree on which account number will be designated as the number for the newly merged Triangle Rewards Account and who the accountholder will be. All remaining Triangle Rewards Account numbers will be cancelled and the persons who are not designated as the accountholder will no longer be Members in the Program. Donating electronic Canadian Tire Money Members may be able to donate their eCTM to select charities or community groups. Please visit the Program Website for details about donating eCTM. Lost or Stolen Triangle Rewards Cards If a Triangle Rewards Card is lost, stolen or destroyed, Canadian Tire will issue a new card on presentation of proper identification, and the balance in the Member's Triangle Rewards Account will be transferred to a new Triangle Rewards Account. Canadian Tire assumes no responsibility if eCTM has been used by anyone who presents a lost or stolen Triangle Rewards Card, Cardless Method or Program Payment Card before Canadian Tire is notified of such loss or theft. Partner Locations We may, from time to time, designate certain other merchants as locations at which you can collect or redeem eCTM a Partner. If you redeem eCTM at a Partner we are not responsible for any loss, damage, injury, death or expense as a result of any item or service you acquired at such Partner. General eCTM is not exchangeable and cannot be redeemed for cash or made subject to any security interest. These terms and conditions, as amended by Canadian Tire from time to time, constitute the entire agreement between the Member and Canadian Tire with respect to eCTM.

On occasion, Canadian Tire, our various businesses within the Canadian Tire family of companies and any Partners may communicate special offers, information and services to Members by email, text message standard text messaging and data rates may apply or other communication preferences selected by you using the contact information you have provided. Any Member who does not wish to receive these offers may so indicate on the Program Website or by calling Program customer service at 18002268473. Please note that even if you have opted out of receiving marketing communications, we may still contact you for the purposes of administering your account and sending you transactional or operational messages. Any waiver by Canadian Tire of any of these terms and conditions at any time does not mean that Canadian Tire cannot rely on these terms and conditions at any subsequent time. No delay or omission by Canadian Tire in exercising any right or remedy hereunder shall operate as waiver thereof or of any other right or remedy. All Triangle Rewards Cards remain the sole property of Canadian Tire and, if requested by Canadian Tire, must be returned to Canadian Tire upon the cancellation of a Member's membership in the Program. The Member is responsible for informing Canadian Tire of any change to his or her personal information e.g. name, address, email, etc., by visiting the Program Website or by calling Program customer service. Canadian Tire reserves the right to terminate a Member's participation in the Program or to block a Member's ability to use the Member's eCTM if Canadian Tire has inaccurate or incomplete information respecting the Member. Enrolment in the Program constitutes acceptance of these terms and conditions and each applicant for membership in the Program consents to the collection and use of personal information in accordance with the Canadian Tire Privacy Charter, as amended



from time to time.

If any provision of these terms and conditions is invalid or unenforceable, such provision will not affect the validity and enforceability of any of the remaining terms and conditions. Participants are responsible for any taxes, duties or other charges associated with their participation in the Program. Any written notice to Canadian Tire may be sent by ordinary mail to Triangle Rewards Program PO BOX 2000, Station Main Welland, ON L3B 5S3 We may cancel any eCTM that has not been properly issued or that we believe has been issued due to fraudulent conduct or conduct that is inconsistent with these terms and conditions or the spirit of the Program. The version of the terms and conditions that is posted from time to time on the Program Website will govern the Program. These terms and conditions are governed by the laws of Ontario and the federal laws of Canada applicable in Ontario. You will be provided with written notice of any amendment to these terms and conditions setting out the new clause only or the amended clause and how it read formerly and the date that the amendment will take effect at least 60 days, but not more than 90 days, before it is to take effect. Upon receipt of the notice, you may choose to reject the amendment and rescind these terms and conditions. These terms and conditions are governed by the laws of Quebec and the federal laws of Canada applicable in Quebec. It is your express wish that these Program terms and conditions be written in the English language. All Canadian Tire companies have adopted the Canadian Tire Privacy Charter Privacy Charter . A list of frequently asked privacy questions FAQs is available to provide you with examples and instances of how your personal information may be collected, used and disclosed. Our policies and practices have been designed to comply with the Personal Information Protection and Electronic Documents Act and provincial private sector privacy acts.

Our Privacy Charter may be amended from time to time. A copy of the most current version of our Privacy Charter and our FAQs can be obtained online at [triangle.com](http://triangle.com) or by calling 18002268473. We may provide your personal information to Canadian Tire affiliates or to other third party Marketing Partners, including under a Loyalty Program, so that they can notify you directly of products, services, rewards and special offers that may be of interest to you. These notices may be given to you by postal mail, email, facsimile, telephone, text message or other form of electronic messaging using the contact information that you provide to us. Withdrawal of consent to collect, use and disclose your personal information may restrict our ability to provide you with some products and services, such as the privileges and opportunities of being a member of the Loyalty Program. You may always withdraw or refuse your consent by clicking on the unsubscribe link in our email communications or by contacting us at 18002268473. Your request will be promptly processed but may not be in time to remove you from promotions already in progress. Please note that even if you have opted out of receiving marketing communications, we may still contact you for the purposes of administering your account and sending you transactional or operational emails. We do not sell or rent personal information. Our Service Providers may be located in or outside of Canada and may be required to disclose your information under the laws of their jurisdiction. For complete details as to how we collect, use and disclose your personal information, please see our Privacy Charter and FAQs. All fees collected go towards the collection, transportation and processing costs of recycling used tires. Taxes payable on price before rebate. Valid until September 30, 2020. Funded by the Government of Canada. Available in Ontario only. See details in store. Interest does not accrue during the period of the plan.

However, if we do not receive the full minimum due on a statement within 59 days of the date of that statement, or any event of default other than a payment default occurs under your Cardmember Agreement, all special payment plans on your account will terminate and i you will then be charged interest on the balances outstanding on such plans at the applicable regular annual rate from the day after the date of your next statement, and ii the balances outstanding will form part of the balance due on that statement. There is no administration fee charged for entering into a special

payments plan. Each month during an equal payments plan you are required to pay in full by the due date that month's equal payments plan instalment. Any unpaid portion not received by the due date will no longer form part of the equal payments plan and interest will accrue on that amount from the day after the date of your next statement at the applicable regular annual rate. Offer subject to change without notice. Some applicants may receive a higher or lower regular annual rate depending on a credit evaluation. For residents of Quebec, the period between the statement date and the due date for payment is 26 days. The billing period covered by each statement can be from 2833 days. The Triangle Mastercard and the Triangle World Elite Mastercard do not have an annual fee. Examples of borrowing costs rounded to the nearest cent assuming that all charges are purchases bearing interest at the regular annual rate of 19.99%, a 30 day month, no charges made on special payment plans and no other fees, additional payments or other changes are You cannot collect paper Canadian Tire Money on bonus offers. Any bonus multiplier is based on the base rate of collecting CT Money. Not all items sold at Canadian Tire earn CT Money. The offered rate is exclusive of any bonus or promotional offers or redemption transactions. CT Money is collected on the pretax. Terms and Conditions apply.

Visit for more information. Items may be display models or not exactly as shown and may not be available in all stores. Quantities may be limited. Contact your store for more information. We reserve the right to limit quantities. Sorry no rainchecks excluding Quebec. Shipping fees and delivery times vary depending on location, size and weight of the items and is only available within the province of the Canadian Tire retail location "Store" from which the items was purchased. Bulk items will only be delivered within a 100km radius of the Store. Not available in Recontre East, NL. Conditions and restrictions apply. Visit for more information. Additional oil filter charges will apply. Eco fees, taxes and additional fees where applicable, are extra. Coupon valid for onetime use only. Coupon has no cash value and must be presented and surrendered at time of redemption. Not valid in conjunction with any other offer, coupon or discount. One coupon per vehicle. We reserve the right to limit the number of coupons redeemed per person. Limited time only. Altered or modified coupons will not be accepted. Coupon valid for intended recipient only. Some restrictions apply. See in store for details. You can withdraw your consent to receive text messages about Canadian Tire Auto offers at any time by texting STOP to 38667. You may unsubscribe at any time. The Triangle credit cards are issued by Canadian Tire Bank. You cannot collect paper CT Money on bonus offers. Any bonus multiplier is based on the base rate of 0.4% collecting CT Money and will be added to whatever the Member would otherwise collect, without the bonus. Conditions apply. Visit [triangle.com](http://triangle.com) for full program rules and Partner location information. CT Money is collected on the pretax amount of the purchase. Bonus CT Money collected from online orders will be applied to the Member's Triangle Rewards Account within five weeks of the purchase date.

The Gift Card may not be exchanged for cash, used to purchase other gift cards or applied as a payment on any Canadian Tire credit account. Applicable taxes will be charged on the total transaction value before deducting the Gift Card value. Canadian Tire and Mastercard International Incorporated are not responsible for replacing the value on this Gift Card if it is lost, stolen destroyed, damaged or used without your knowledge or consent. All fees collected go towards the collection, transportation and processing costs of recycling used tires. Taxes payable on price before rebate. Canadian Tire and Mastercard International Incorporated are not responsible for replacing the value on this Gift Card if it is lost, stolen destroyed, damaged or used without your knowledge or consent. Got a question about your new air gun. Feel free to print any of these manuals for your personal use. You may not distribute printed or electronic copies of these manuals without Pyramyd Air's express written consent. Need to order gun parts. Check the schematics to identify the right part. CO2 tank, Scoped AirForce Condor CO2, 20oz. CO2 tank, Scoped AirForce Condor CO2, Incl adapter, 12oz. CO2 tank AirForce Condor CO2, Incl adapter, 20oz. CO2 tank AirForce Talon CO2, 20oz. CO2 tank AirForce Talon CO2, Incl adapter, 12oz. CO2 tank AirForce Talon CO2, Incl adapter,

20oz. CO2 tank AirForce Talon PCP Rifle AirForce Talon SS CO2, 12oz. CO2 Tank, Scoped AirForce Talon SS CO2, 20oz. CO2 Tank AirForce Talon SS CO2, Adapter, 12oz. AGD Benjamin Trail NP2 Air Rifle, Black Benjamin Trail NP2 Air Rifle, Scope, Wood Stock Benjamin Trail NP2 Air Rifle, Wood Stock Benjamin Trail NP2 Air Rifle, Wood Stock, Combo Benjamin Trail NP2 Rifle, Camo, Combo Benjamin Trail NP2 Rifle, Camo, Combo. Remove Em with This. Mil Reticle, 0.1 MIL, 30mm Tube Athlon Optics 4.527x50 Midas BTR Tactical Rifle Scope, Ill. Mil Reticle, 30mm Tube Athlon Optics 624x50 Argos BTR Tactical Rifle Scope, FFP Ill. APMR Reticle, 0.

<https://www.thebiketube.com/acros-canon-wft-e3-manual>